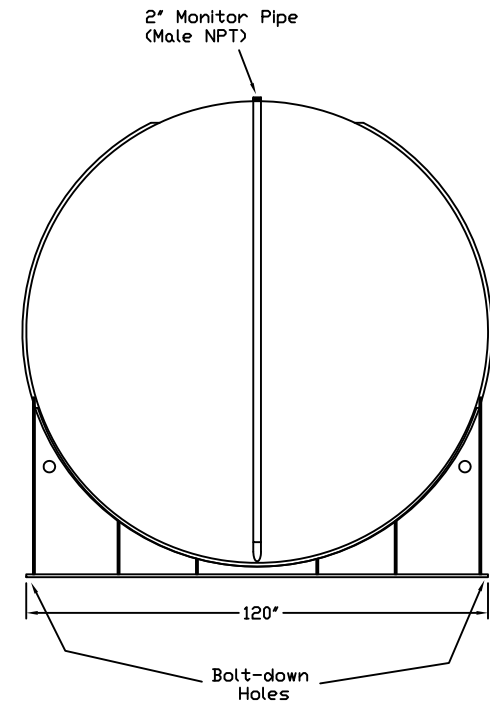
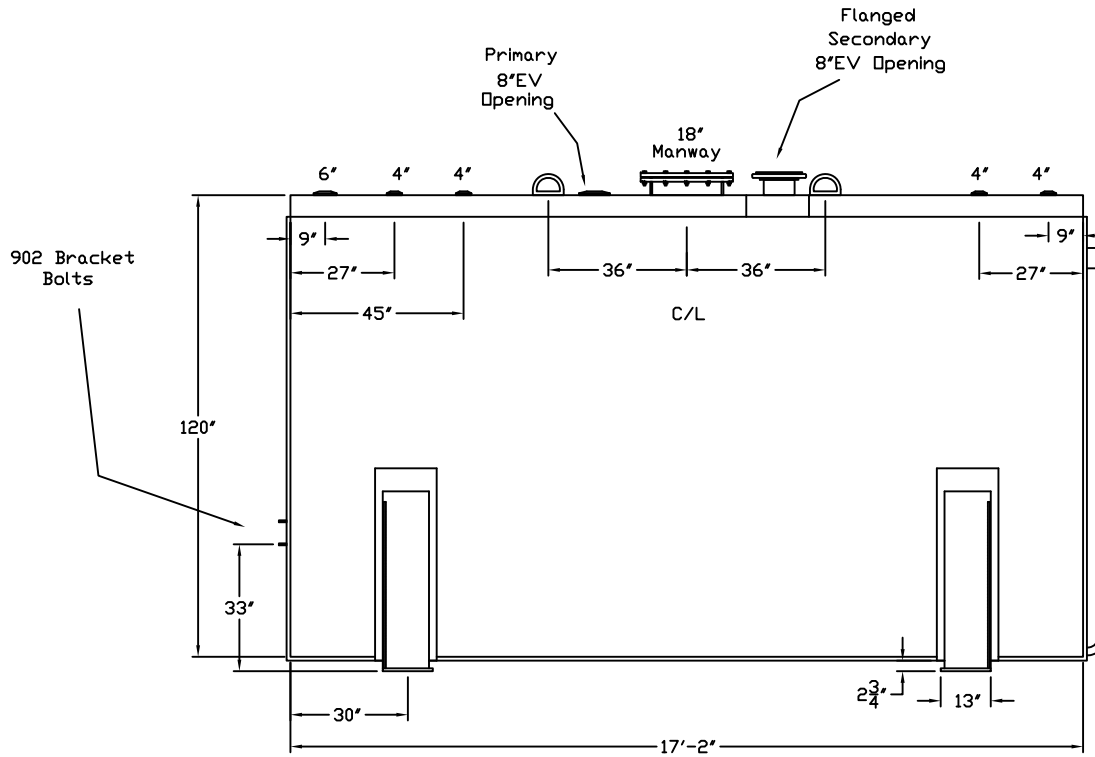


**Bart's Electrical Service**  
**Fuel gard**  
**(213) 595-5075**

Tank is for stationary use only

Capacity	10,000 Gallons	Heads Primary	1/4"	Paint Ext.	Red Primer
Design	Doublewall AG	Shell Primary	1/4"	Paint Int.	
Code	UL 142	Heads Secondary	1/4"	Weight Empty	16,500 lbs.
Test Pres.	5 PSI	Shell Secondary	7 Gauge	Rev.#	Date:



Customer: \_\_\_\_\_ Drg. Date: \_\_\_\_\_

Quoted Lead Times Begin Upon Receipt of signed Approved Drawing, Which Must be Returned Before Production Can Begin.

Drawing Approved By:

\_\_\_\_\_