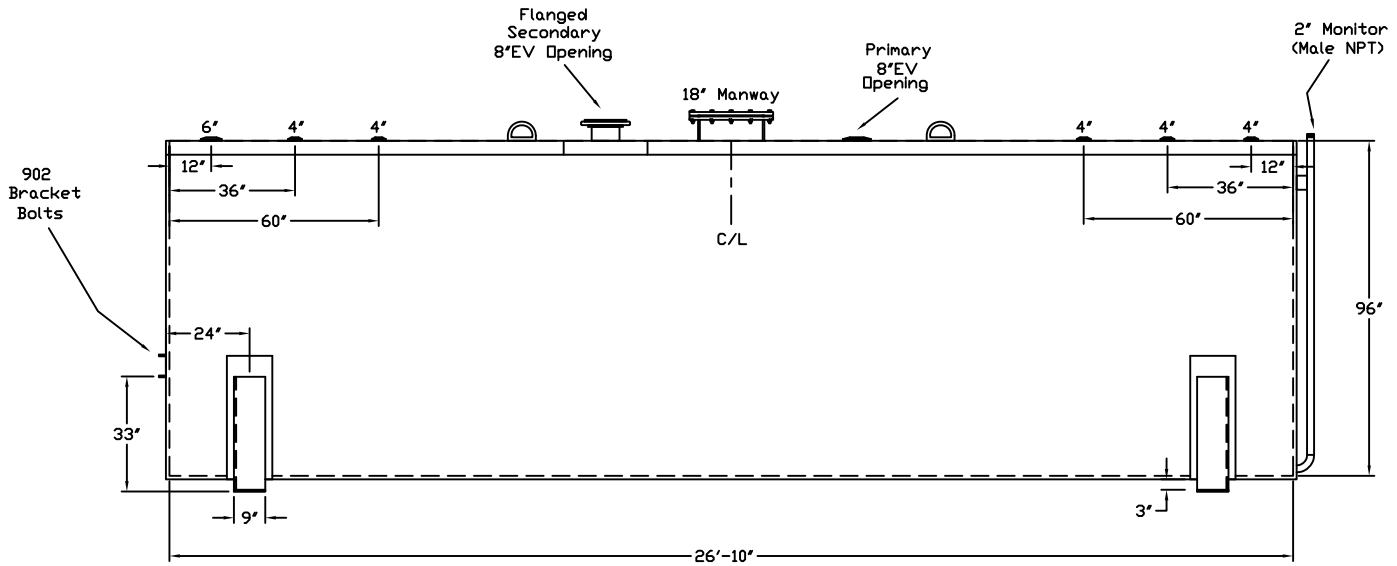
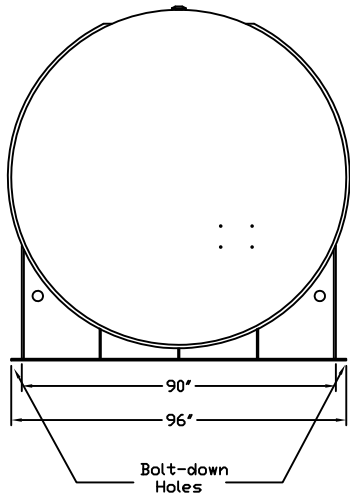


**Bart's Electrical Service**  
**Fuel gard**  
**(213) 595-5075**

Tank For Stationary Use Only

Capacity \_\_\_\_\_ 10,000 Gallons \_\_\_\_\_ Heads Primary \_\_\_\_\_ 1/4" \_\_\_\_\_  
 Design \_\_\_\_\_ Doublewall AG \_\_\_\_\_ Shell Primary \_\_\_\_\_ 1/4" \_\_\_\_\_ Paint Ext. \_\_\_\_\_ Red Primer \_\_\_\_\_  
 Code \_\_\_\_\_ UL 142 \_\_\_\_\_ Heads Secondary \_\_\_\_\_ 1/4" \_\_\_\_\_ Paint Int. \_\_\_\_\_ \_\_\_\_\_  
 Test Pres. \_\_\_\_\_ 5 PSI \_\_\_\_\_ Shell Secondary \_\_\_\_\_ 10 Ga. \_\_\_\_\_ Weight Empty \_\_\_\_\_ 14,650 lbs. \_\_\_\_\_  
 Rev.# \_\_\_\_\_ Date: \_\_\_\_\_



Customer: \_\_\_\_\_ Drg. Date: \_\_\_\_\_

Drawing Approved By: \_\_\_\_\_

Quoted Lead Times Begin Upon Receipt of signed Approved Drawing, Which Must be Returned Before Production Can Begin.