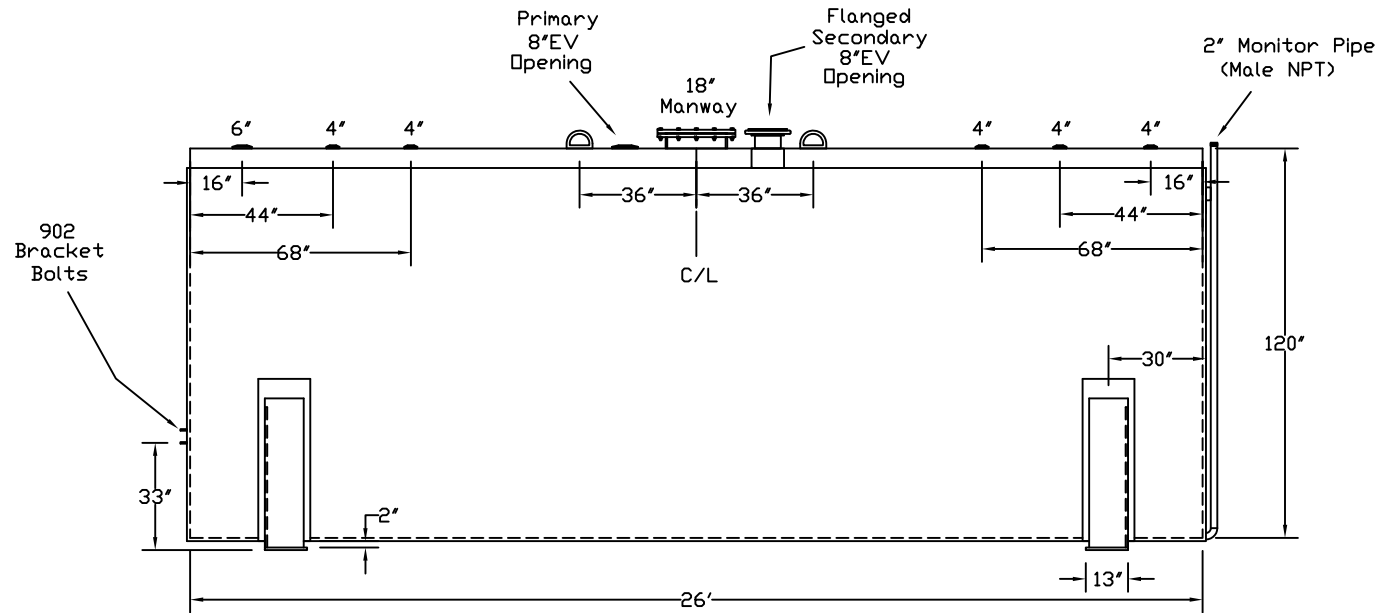
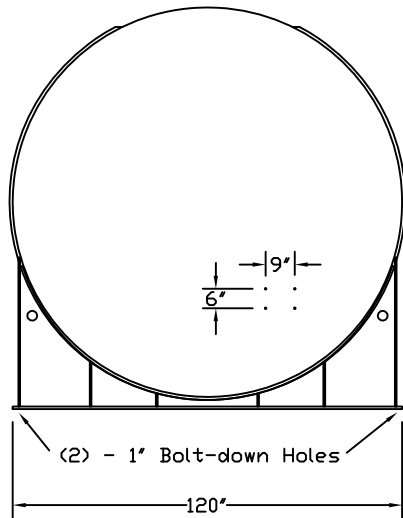


Bart's Electrical Service
Fuel gard
(213) 595-5075

Tank For Stationary Use Only

Capacity	15,000 Gallons	Heads Primary	1/4"	Paint Ext.	Red Primer
Design	Double Wall AG	Shell Primary	1/4"	Paint Int.	-----
Code	UL 142	Heads Secondary	1/4"	Weight Empty	21,400 lbs.
Test Pres.	5 PSI	Shell Secondary	7 Ga.	Rev.#	Date:



Customer: _____ Drg. Date: _____

Drawing Approved By: _____

Quoted Lead Times Begin Upon Receipt of signed Approved Drawing, Which Must be Returned Before Production Can Begin.