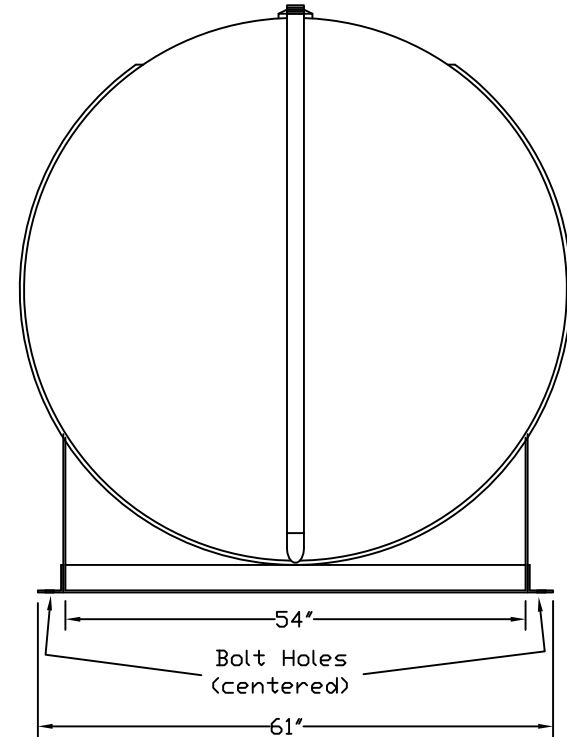
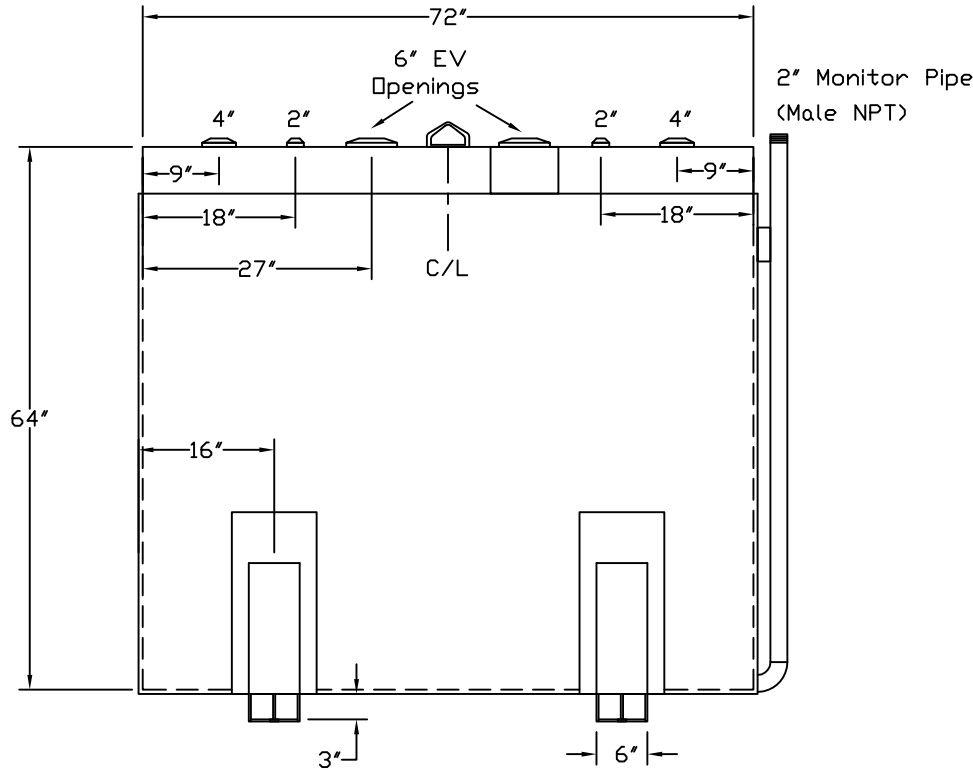


Bart's Electrical Service
Fuel gard
(213) 595-5075

Tank For Stationary Use Only

Capacity	1,000 Gallons	Heads Primary	7 Ga.	Paint Ext.	Red Primer
Design	Double Wall AG	Shell Primary	7 Ga.	Paint Int.	
Code	UL 142	Heads Secondary	7 Ga.	Weight Empty	2,180 lbs.
Test Pres.	5 PSI	Shell Secondary	10 Ga.	Rev.#	Date:



Customer: _____ Drg. Date: _____

Quoted Lead Times Begin Upon Receipt of signed Approved Drawing, Which Must be Returned Before Production Can Begin.

Drawing Approved By: _____