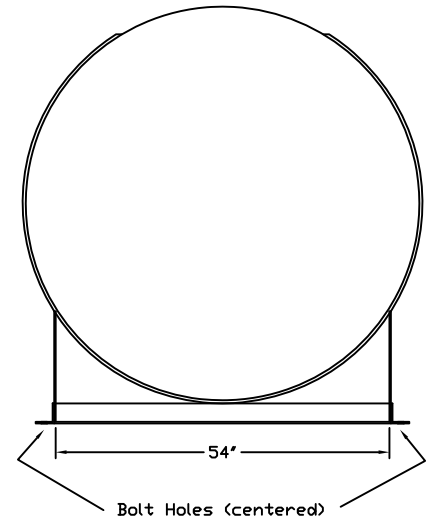
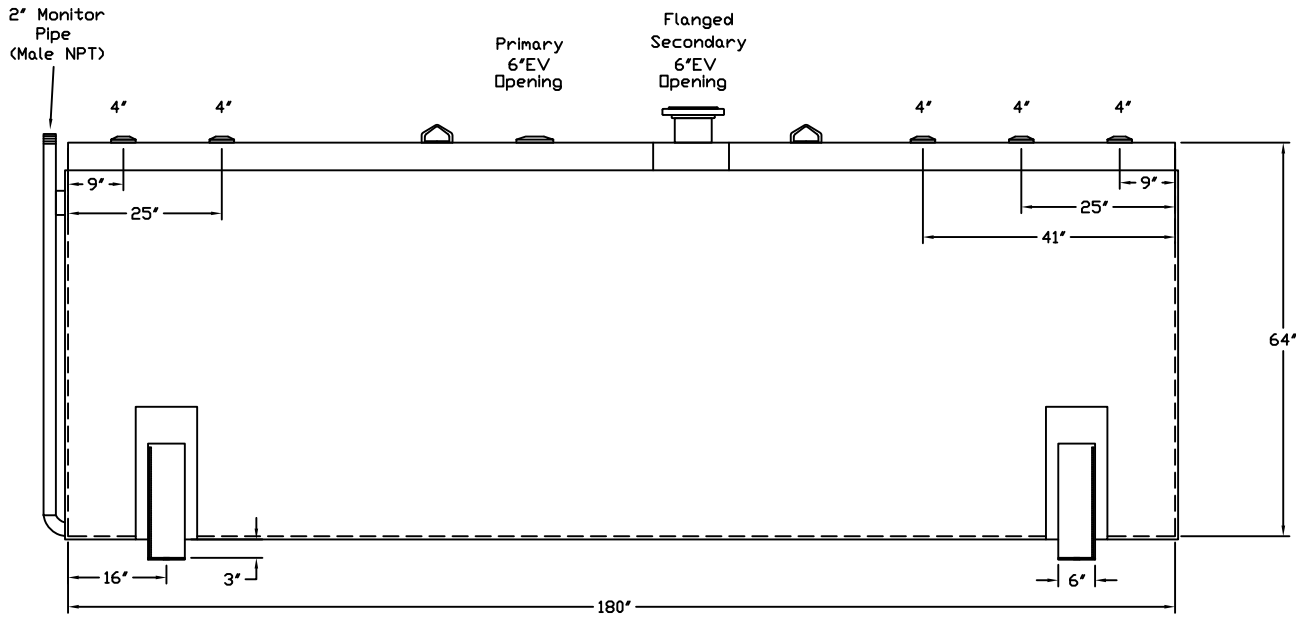


Bart's Electrical Service
Fuel gard
(213) 595-5075

Tank For Stationary Use Only

Capacity _____ 2,500 Gallons _____ Heads Primary _____ 7 Ga.
 Design _____ AG Doublewall _____ Shell Primary _____ 7 Ga.
 Code _____ UL 142 _____ Heads Secondary _____ 7 Ga.
 Test Pres. _____ 5 PSI _____ Shell Secondary _____ 10 Ga.

Paint Ext. _____ Red Primer _____
 Paint Int. _____
 Weight Empty _____ 4,400 lbs. _____
 Rev.# _____ Date: _____



Customer: _____ Drg. Date: _____

Quoted Lead Times Begin Upon Receipt of signed Approved Drawing, Which Must be Returned Before Production Can Begin.

Drawing Approved By: _____