

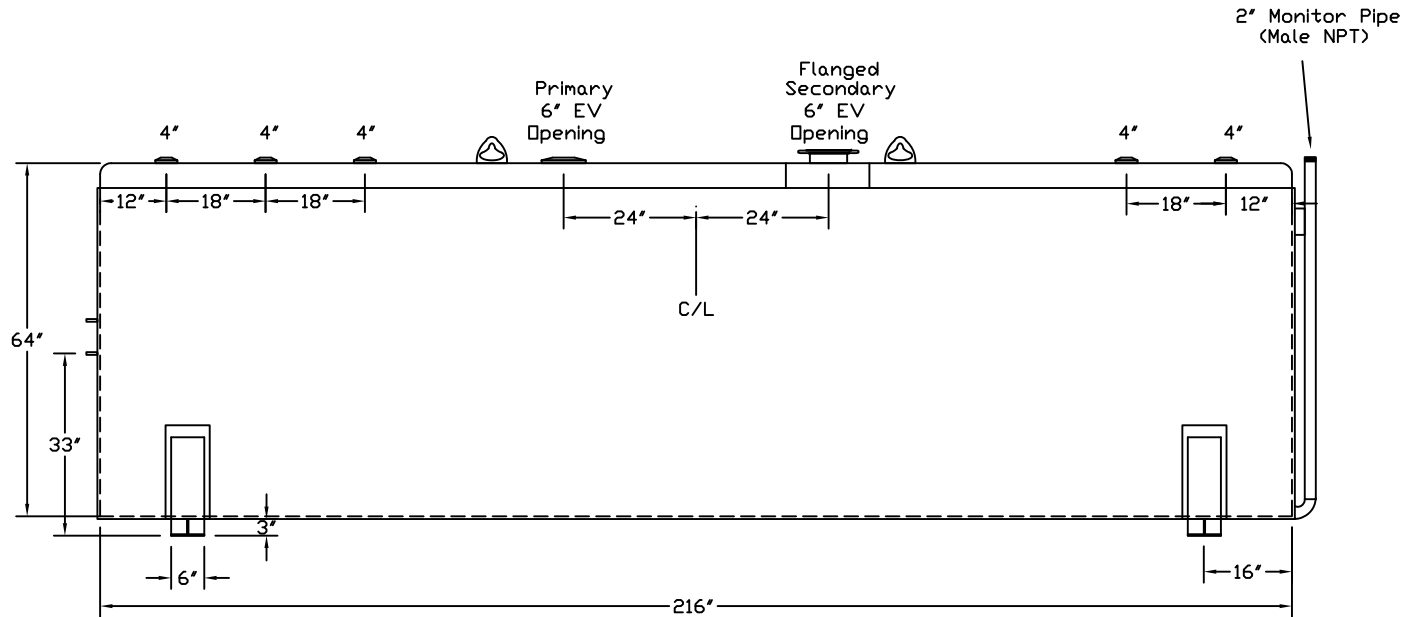
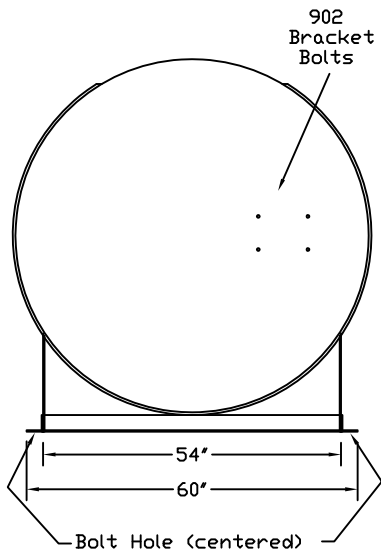
**Bart's Electrical Service**  
**Fuel gard**  
**(213) 595-5075**

Tank For Stationary Use Only

Capacity 3,000 Gallons  
 Design Aboveground Doublewall  
 Code UL 142  
 Test Pres. 5 PSI

Heads Primary 7 Gauge  
 Shell Primary 7 Gauge  
 Heads Secondary 7 Gauge  
 Shell Secondary 10 Gauge

Paint Ext. Red Primer  
 Paint Int. \_\_\_\_\_  
 Weight Empty 5,150 lbs.  
 Rev.# \_\_\_\_\_ Date: \_\_\_\_\_



Customer: \_\_\_\_\_ Drg. Date: \_\_\_\_\_

Drawing Approved By: \_\_\_\_\_

Quoted Lead Times Begin Upon Receipt of signed Approved Drawing, Which Must be Returned Before Production Can Begin.