

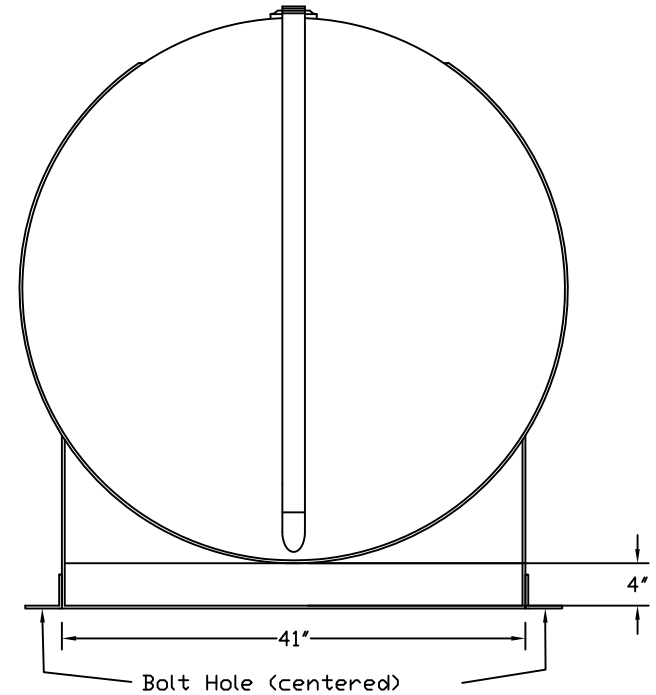
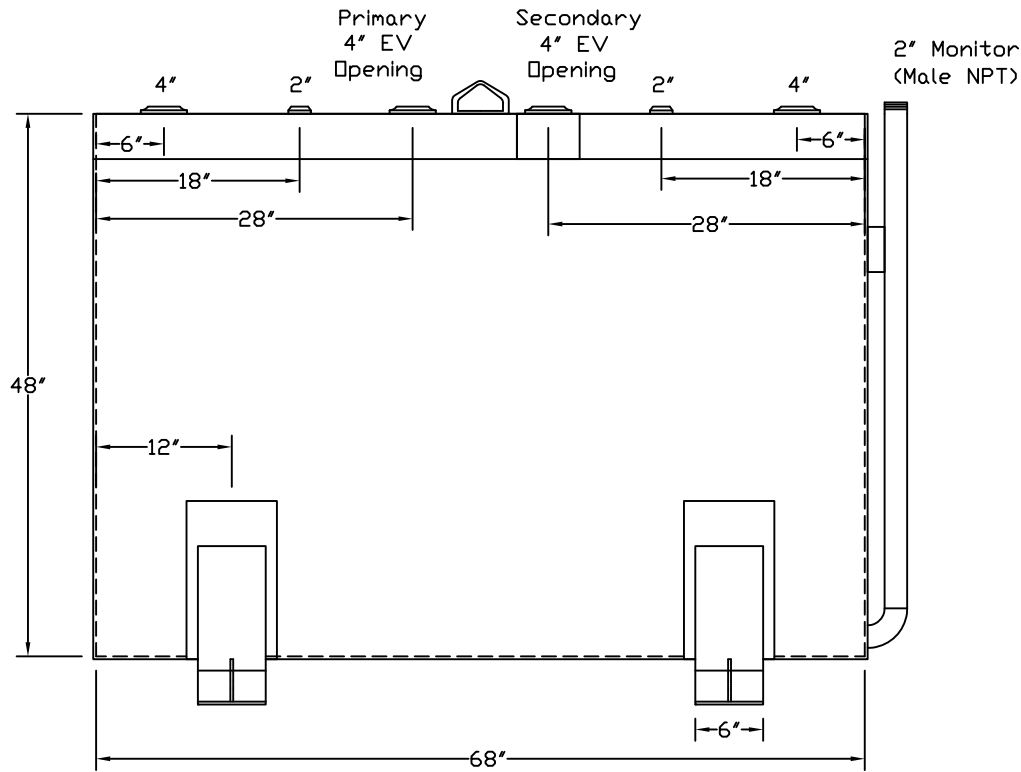
Bart's Electrical Service
Fuel gard
(213) 595-5075

Tank for Stationary Use Only

Capacity _____ 520 Gallons
 Design _____ Aboveground Doublewall
 Code _____ UL 142
 Test Pres. _____ 5 PSI

Heads Primary _____ 10 Ga.
 Shell Primary _____ 12 Ga.
 Heads Secondary _____ 12 Ga.
 Shell Secondary _____ 12 Ga.

Paint Ext. _____ Red Primer
 Paint Int. _____
 Weight Empty _____ 1,100 lbs.
 Rev.# _____ Date: _____



Customer: _____ Drg. Date: _____

Quoted Lead Times Begin Upon Receipt of signed Approved Drawing, Which Must be Returned Before Production Can Begin.

Drawing Approved By: _____