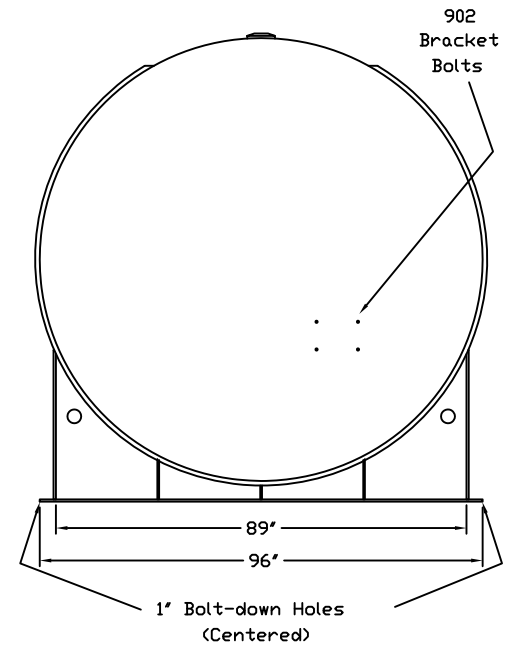
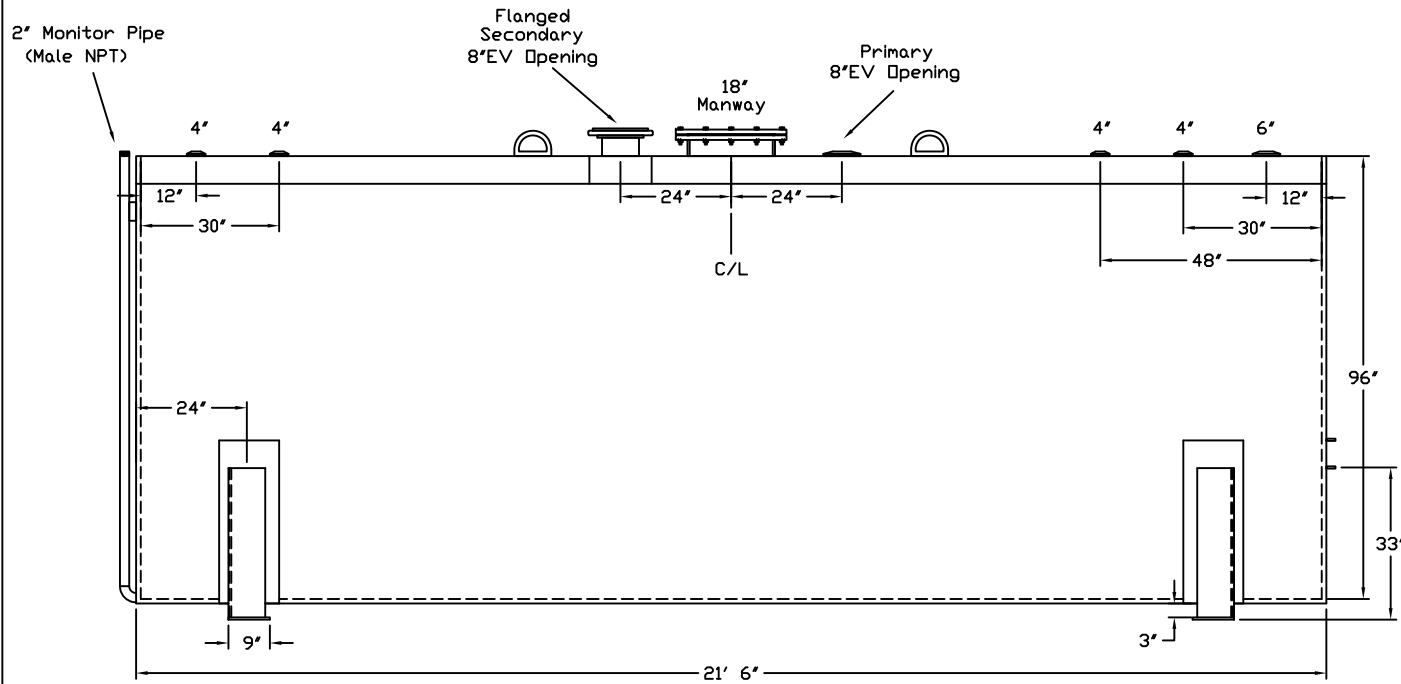


Bart's Electrical Service
Fuel gard
(213) 595-5075

Tank For Stationary Use Only

Capacity 8,000 Gallons Heads Primary 1/4"
 Design Doublewall AG Shell Primary 1/4"
 Code UL 142 Heads Secondary 1/4"
 Test Pres. 5 PSI Shell Secondary 10 Ga.

Paint Ext. Red Primer
 Paint Int. _____
 Weight Empty 12,300 lbs.
 Rev.# _____ Date: _____



Customer: _____ Drg. Date: _____

Quoted Lead Times Begin Upon Receipt of signed Approved Drawing, Which Must be Returned Before Production Can Begin.

Drawing Approved By: _____