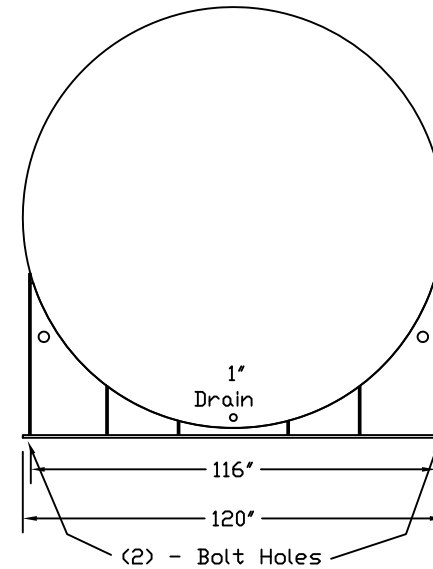
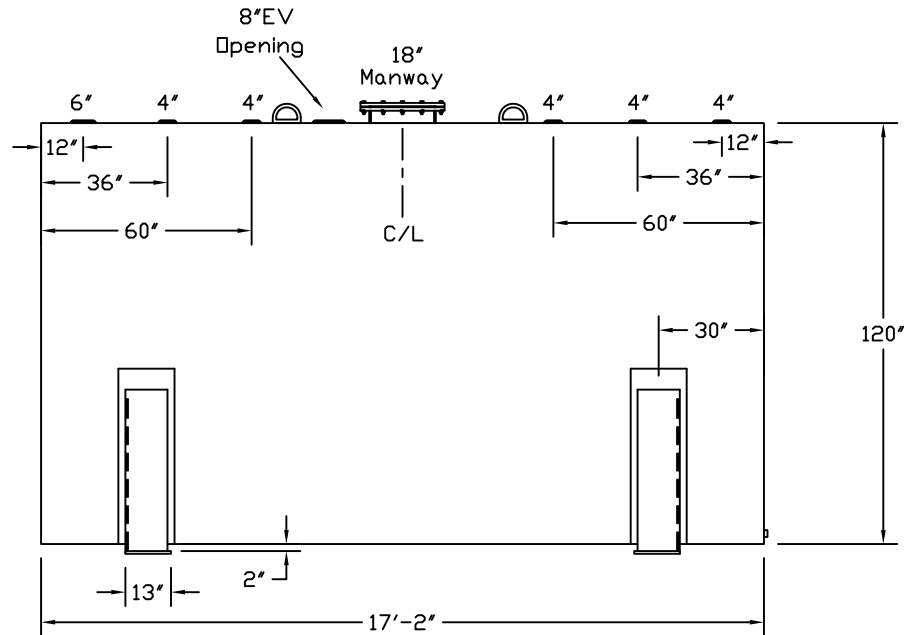


Bart's Electrical Service
Fuel gard
(213) 595-5075

Tank For Stationary Use Only

Capacity	10,000 Gallons	Heads Primary	1/4"	Paint Ext.	Red Primer
Design	Singlewall	Shell Primary	1/4"	Paint Int.	
Code	UL 142	Heads Secondary		Weight Empty	10,450 lbs.
Test Pres.	5 PSI	Shell Secondary		Rev.#	Date:



Customer: _____ Drg. Date: _____

Drawing Approved By: _____

Quoted Lead Times Begin Upon Receipt of signed Approved Drawing, Which Must be Returned Before Production Can Begin.