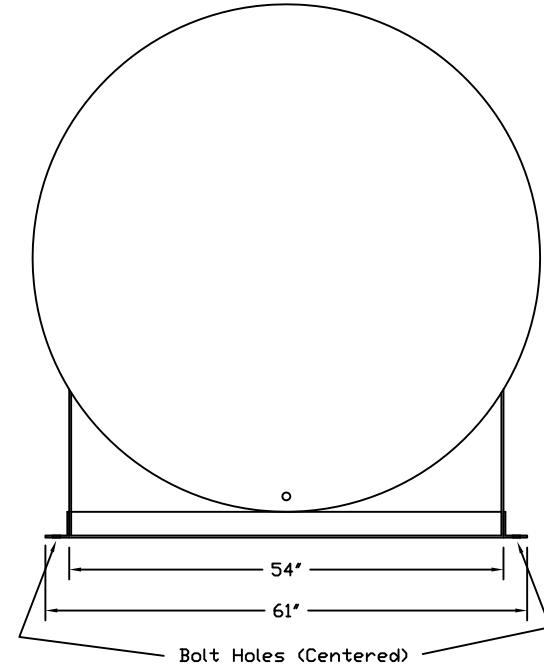
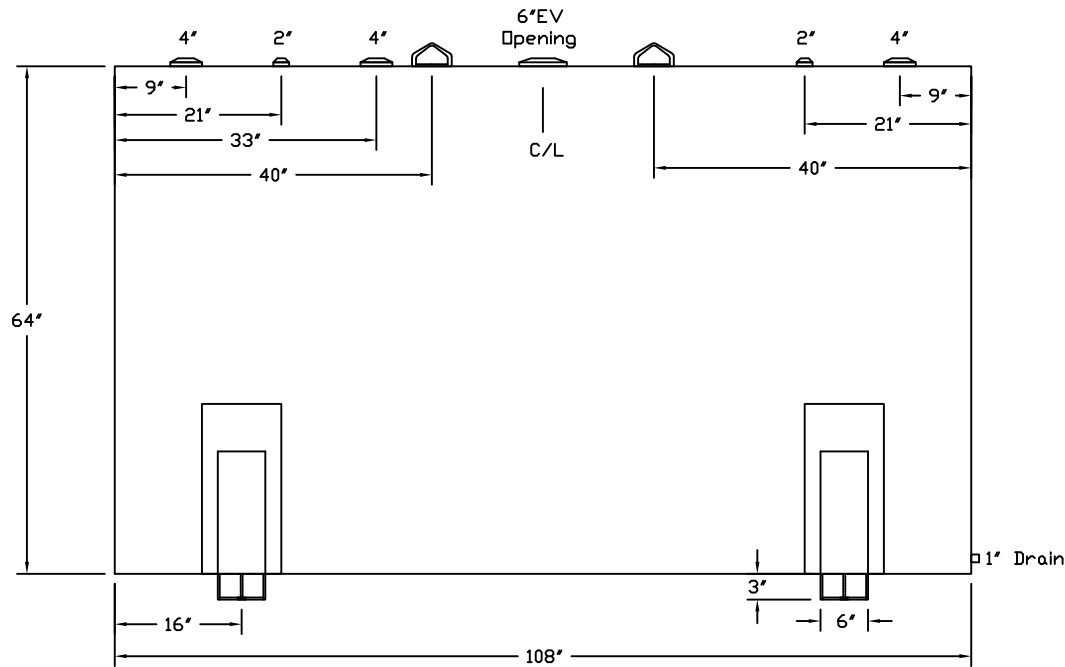


**Bart's Electrical Service**  
**Fuel gard**  
**(213) 595-5075**

Tank for stationary use only

Capacity \_\_\_\_\_ 1,500 Gallons \_\_\_\_\_ Heads Primary \_\_\_\_\_ 7 Gauge \_\_\_\_\_  
 Design \_\_\_\_\_ Singlewall \_\_\_\_\_ Shell Primary \_\_\_\_\_ 7 Gauge \_\_\_\_\_  
 Code \_\_\_\_\_ UL 142 \_\_\_\_\_ Heads Secondary \_\_\_\_\_ \_\_\_\_\_  
 Test Pres. \_\_\_\_\_ 5 PSI \_\_\_\_\_ Shell Secondary \_\_\_\_\_ \_\_\_\_\_  
 Paint Ext. \_\_\_\_\_ Red Primer \_\_\_\_\_  
 Paint Int. \_\_\_\_\_ \_\_\_\_\_  
 Weight Empty \_\_\_\_\_ 1,850 lbs. \_\_\_\_\_  
 Rev.# \_\_\_\_\_ Date: \_\_\_\_\_



Customer: \_\_\_\_\_ Drg. Date: \_\_\_\_\_

Quoted Lead Times Begin Upon Receipt of signed Approved Drawing, Which Must be Returned Before Production Can Begin.

Drawing Approved By: \_\_\_\_\_