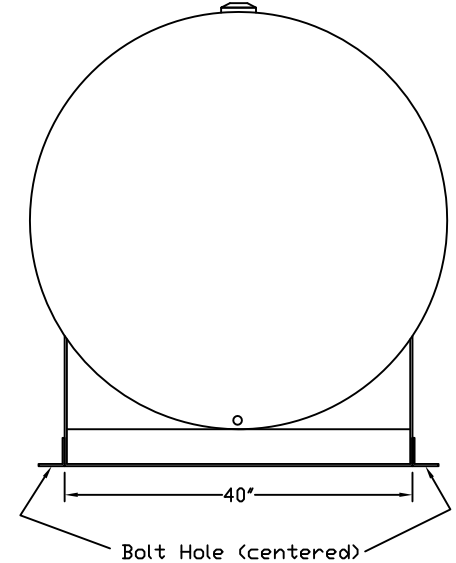
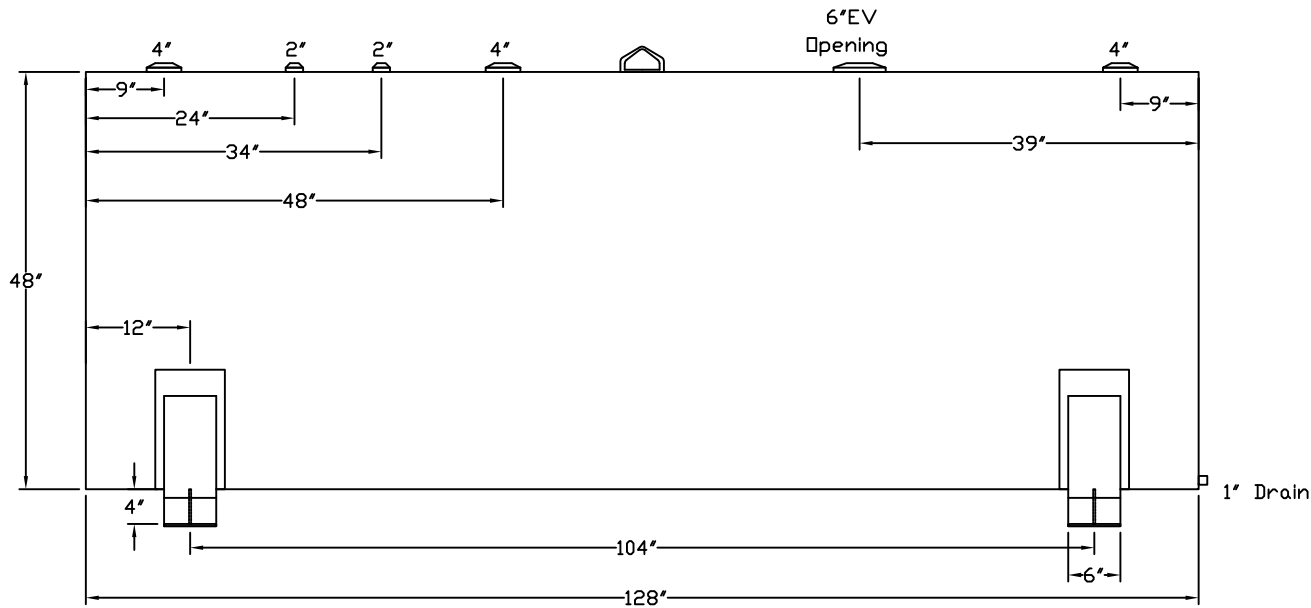


Bart's Electrical Service
Fuel gard
(213) 595-5075

Tank For Stationary Use Only

Capacity 1,000 Gallons Heads Primary 10 Ga.
 Design Single Wall Shell Primary 10 Ga.
 Code UL 142 Heads Secondary _____
 Test Pres. 5 PSI Shell Secondary _____

Paint Ext. Red Primer
 Paint Int. _____
 Weight Empty 1,300 lbs.
 Rev.# _____ Date: _____



Customer: _____ Drg. Date: _____

Quoted Lead Times Begin Upon Receipt of signed Approved
 Drawing, Which Must be Returned Before Production Can Begin.

Drawing Approved By:
