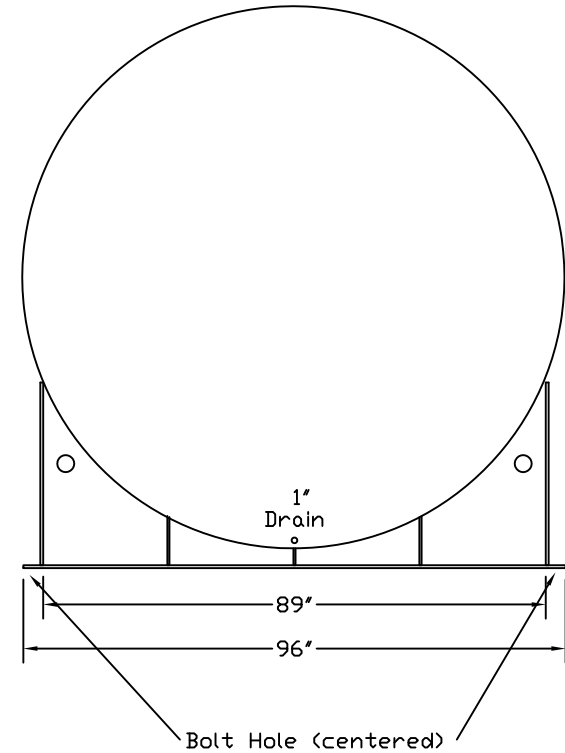
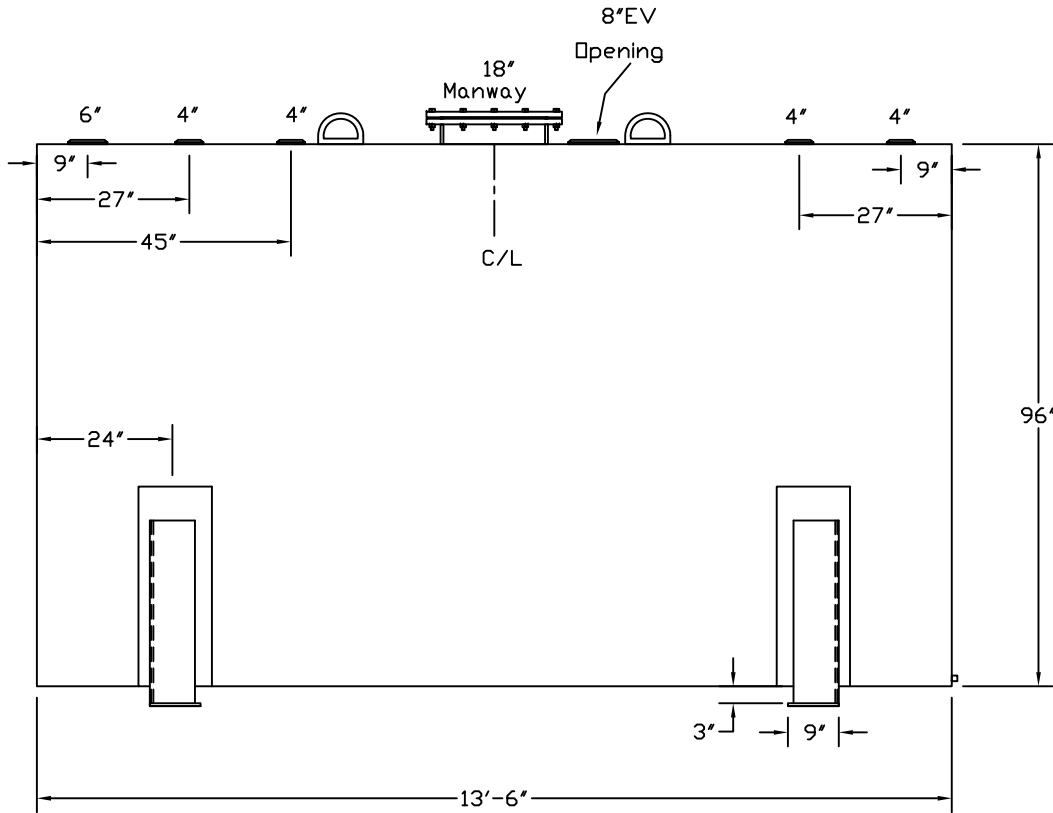


**Bart's Electrical Service**  
**Fuel gard**  
**(213) 595-5075**

Tank For Stationary Use Only

Capacity 5,000 Gallons Heads Primary 1/4" Paint Ext. Red Primer  
 Design Singlewall Shell Primary 1/4" Paint Int. \_\_\_\_\_  
 Code UL 142 Heads Secondary \_\_\_\_\_ Weight Empty 5,850 lbs.  
 Test Pres. 5 PSI Shell Secondary \_\_\_\_\_ Rev.# \_\_\_\_\_ Date: \_\_\_\_\_



Customer: \_\_\_\_\_ Drg. Date: \_\_\_\_\_

Quoted Lead Times Begin Upon Receipt of signed Approved Drawing, Which Must be Returned Before Production Can Begin.

Drawing Approved By: \_\_\_\_\_